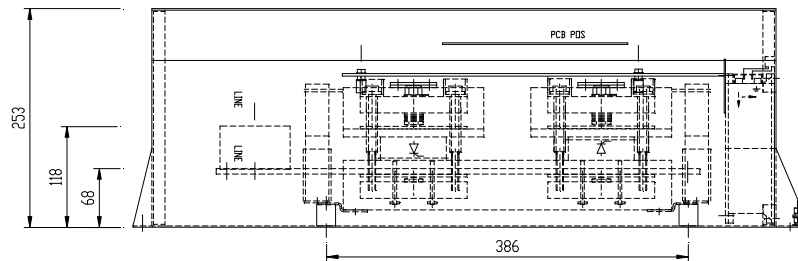
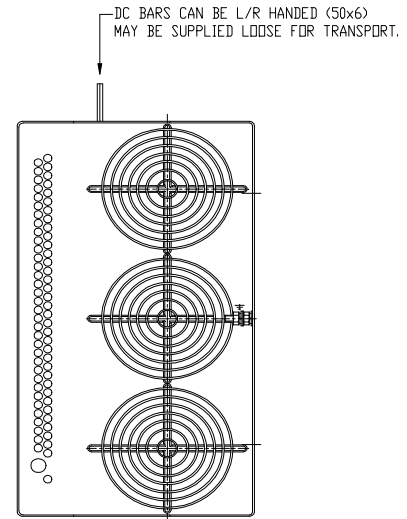
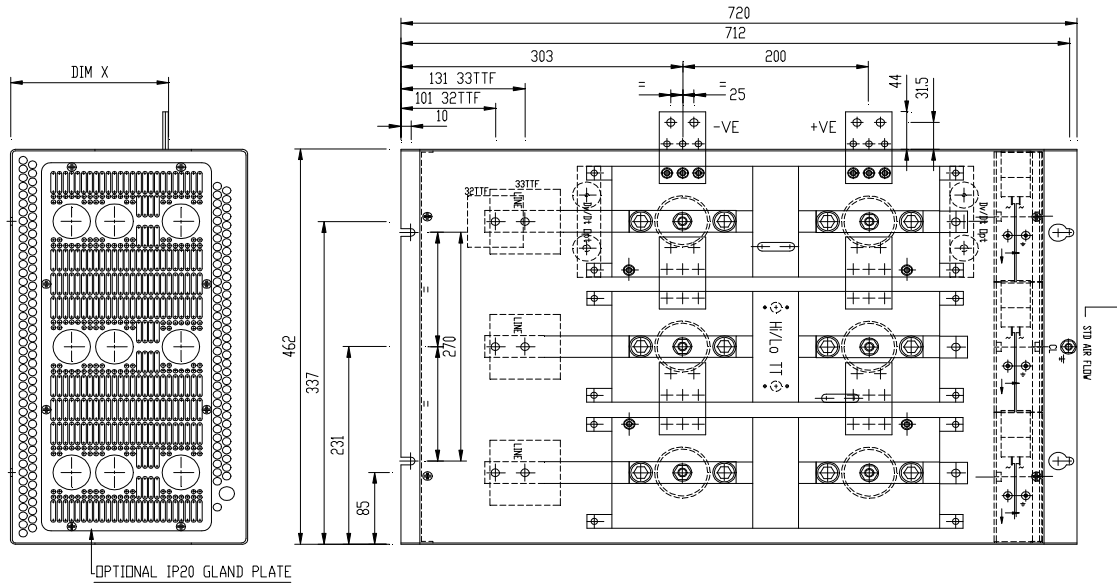


DRG.No.B 020230

POWERSEM LTD.

DIM X
 FOR 15mm DEVICES = 157
 FOR 27mm DEVICES = 169



FIXINGS & EARTH CONNECTION M8
 AC/DC CONNECTIONS 2xM8 (FUSE 32TTF M10 / 33TTF M12)
 G/K LEADS 600 mm
 FANS 110/115V ~70VA approx *3 (SEE ORDER)
 FANS 230/240V ~70VA approx *3 (SEE ORDER)
 FUSES, DV/DI, TT ETC OPTIONAL
 *15mm DEVICES ONLY.

SEE 010060 FOR MTG DETAILS.

TOLERANCES UNLESS SPECIFIED UNLIMITED DIMENSIONS TO BE ± 0.2 ANGLES ± 0° 30' HOLES + 0.1 - 0.02	REMOVE SHARP EDGES ALL DIMENSIONS IN MILLIMETRES CHAMFER ALL THREADS AT 45 TO ROOT DIAMETER.	POWERSEM LTD OWNS THE COPYRIGHT OF THIS DRAWING WHICH IS SUPPLIED IN CONFIDENCE AND WHICH MUST NOT BE USED FOR ANY PURPOSE OTHER THAN THAT FOR WHICH IT IS SUPPLIED, AND MUST NOT BE REPRODUCED WITHOUT PERMISSION IN WRITING FROM THE OWNERS. © POWERSEM LTD.	TITLE: B6U/H/C PS185/350/150BF		JOB: VAR	
			MATERIAL:		SPEC.	
ASSEMBLY DN			FINISH TBA	SCALE 1:5	DRAWN PB	CHK'D MP
ASSEMBLY DN			MDD. No		DRG.No.B 020230	
THIRD ANGLE PROJECTION			ISSUE No	1/24.11.97		

