

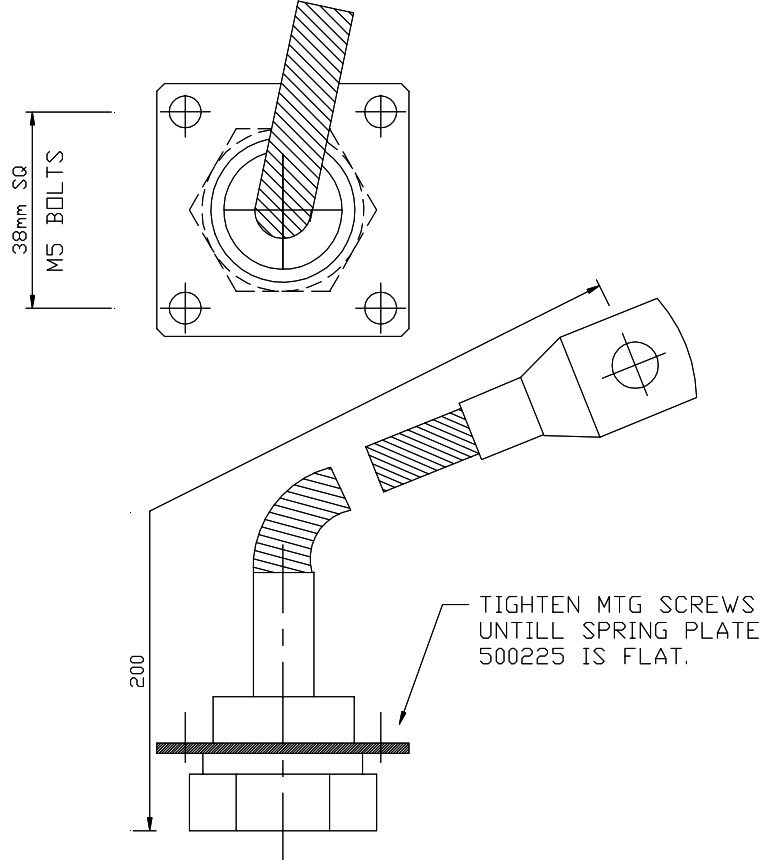
# POWERSEM LTD.

DRG.No.A 020700

POWERSEM LTD, OWNS THE COPYRIGHT OF THIS DRAWING WHICH IS SUPPLIED IN CONFIDENCE AND WHICH MUST NOT BE USED FOR ANY PURPOSE OTHER THAN THAT FOR WHICH IT IS SUPPLIED, AND MUST NOT BE REPRODUCED WITHOUT PERMISSION IN WRITING FROM THE OWNERS.

THIRD ANGLE PROJECTION

© POWERSEM LTD



MAY BE SUPPLIED WITH 500220 STEP LOCATION WASHER, FOR LEAD TERMINATION.

TOLERANCES UNLESS SPECIFIED  
 UNLIMITED DIMENSIONS TO BE  $\pm 0.2$   
 ANGLES  $\pm 0^{\circ} 30'$   
 HOLES  $+ 0.1 - 0.02$

REMOVE SHARP EDGES  
 ALL DIMENSIONS IN MILLIMETRES  
 CHAMFER ALL THREADS AT 45 TO ROOT DIAMETER.

ASSEMBLY DN:

TITLE: FLAT BASE DEVICE MTG (1)

JOB:

MAT'L:

SPEC.

FINISH:

SCALE 1:1

DRAWN P.B

CHK'D MP

MOD. No

ISSUE No

1/21.05.99

DRG.No.A 020700