

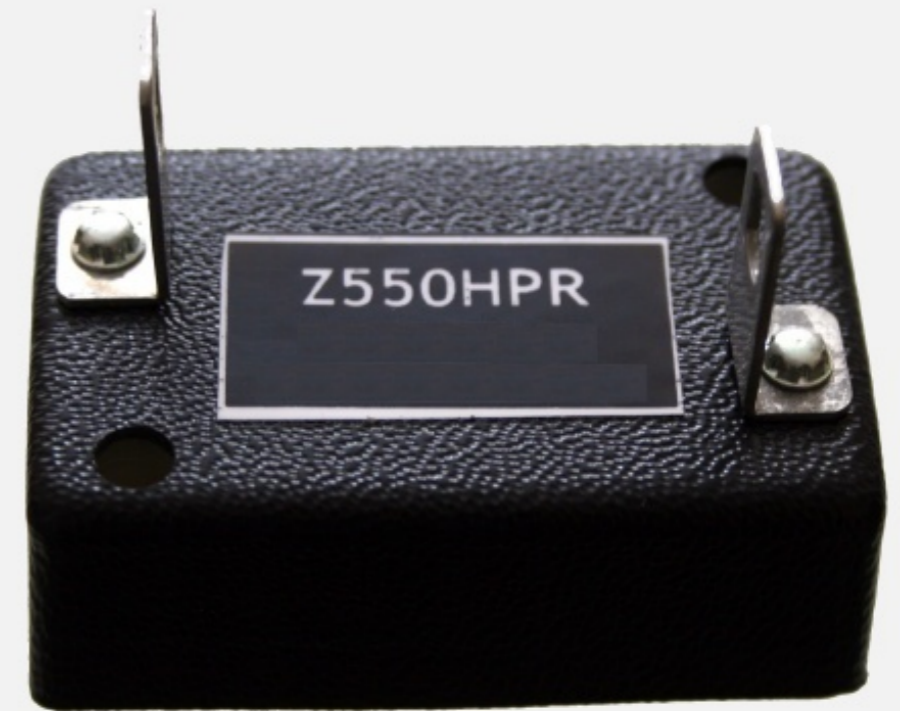
H Range Low Voltage Metal Oxide Varistor (MOV) Assemblies

A range of Low Voltage, higher energy metal oxide based overvoltage protection devices that have uses in a variety of applications.

The active components are housed within ABS enclosures that are backfilled with a durable epoxy resin.

This provides a resilient environmental barrier.

This datasheet covers HL, HL2, HP, HPR and HPRL package types.



Characteristics

Code Prefix	U_c AC rms V	U_c DC V	DC voltage @ 2mA V	Energy (10/1000) J	U_p @ Test current V	A	I_{max} 8/20 μ s kA	I_{max} 4/10 μ s kA	Typical Capacitance (1kHz) pF
Z120H	132	175	190	200	360	300	20	30	10000
Z135H	150	200	215	220	410	300	20	30	9000
Z220H	250	330	360	340	675	300	20	30	7000
Z250H	275	365	395	360	750	300	20	30	6000
Z280H	320	420	450	400	850	300	20	30	5000
Z380H	420	555	610	450	1140	300	20	30	4000
Z415H	460	605	670	500	1210	300	20	30	4000
Z440H	484	640	710	530	1280	300	20	30	3000
Z525H	580	754	840	600	1520	300	20	30	3000
Z550H	620	810	880	600	1600	300	20	30	3000
Z600H*	660	860	960	650	1710	300	20	30	2000
Z660H*	750	980	1060	750	1900	300	20	30	2000

* Not available in PR and PRL configurations

Specification and Configuration can be tailored to specific applications, please contact us using the details below for further information.

H Series Configuration Options

Fig. 1 'L' and 'L2' Configuration

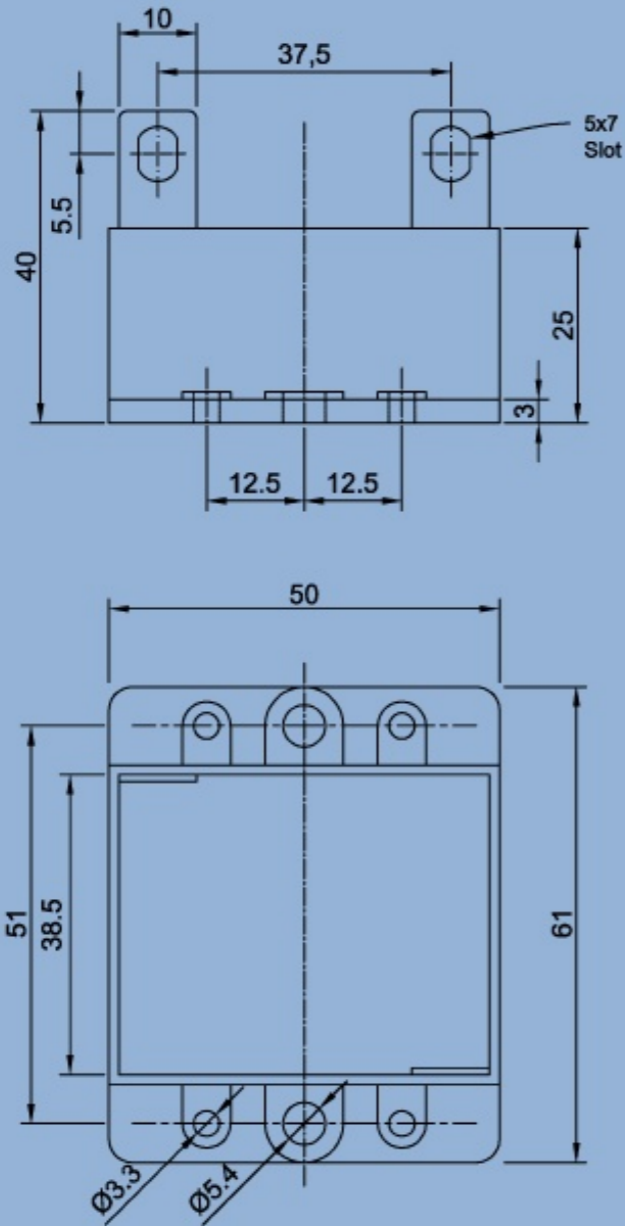


Fig. 2 'P' Configuration

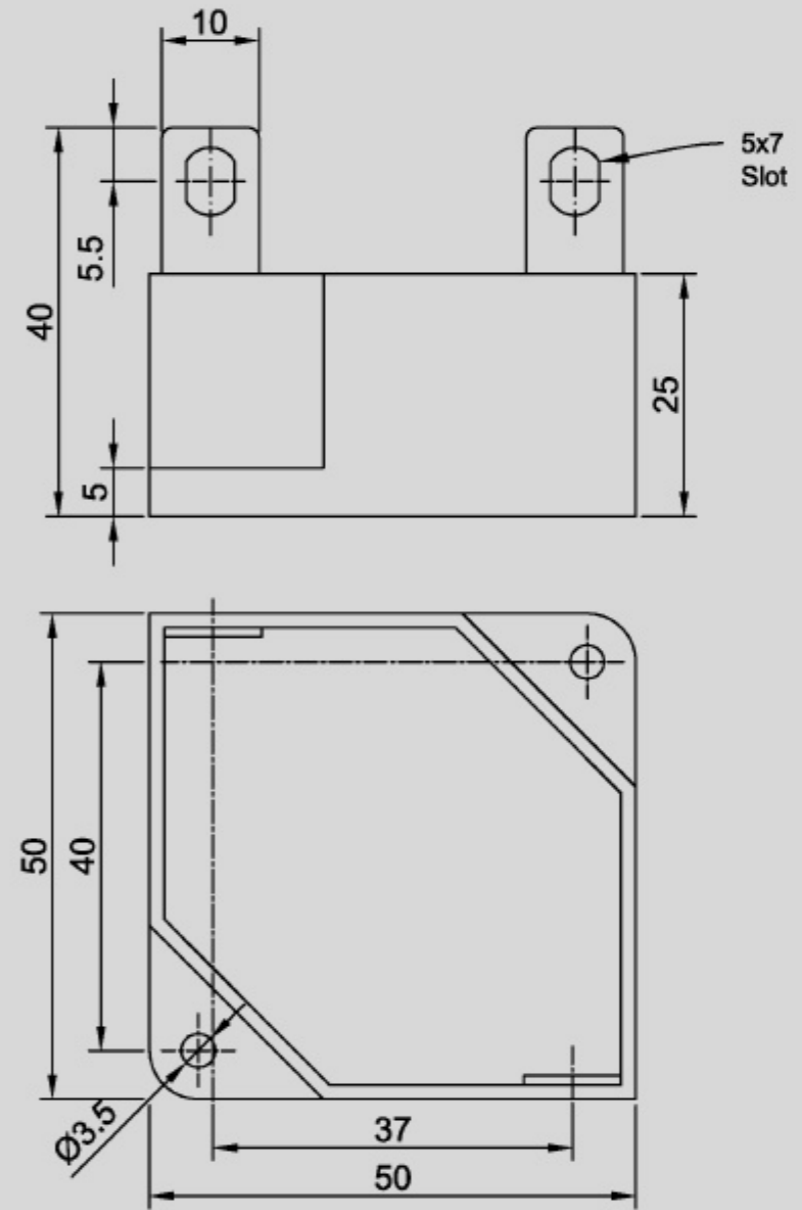


Fig. 3 'PR' Configuration

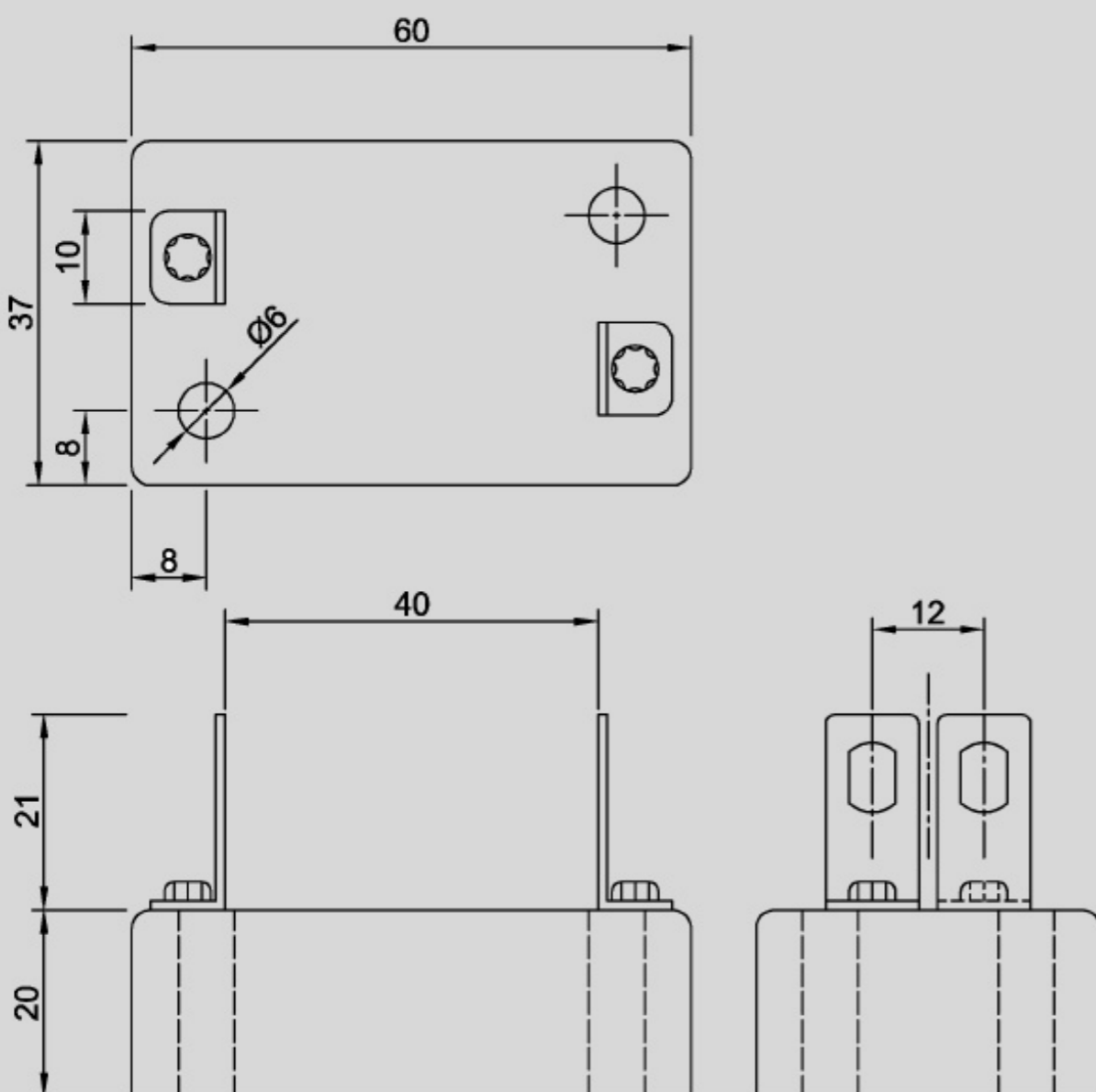


Fig. 4 'PRL' Configuration

