



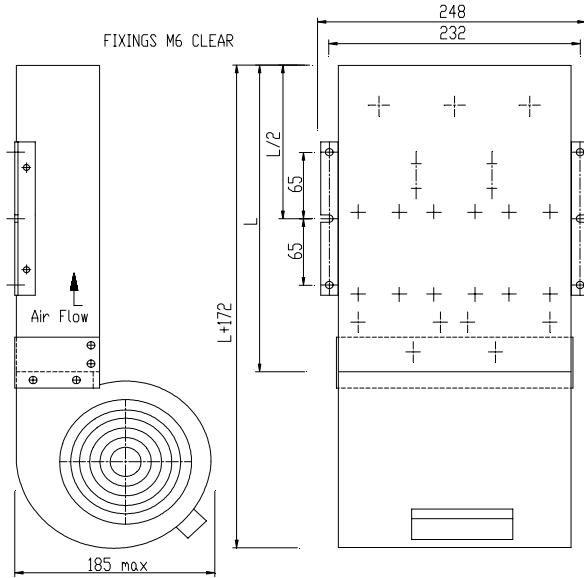
**RECTIFIERS**  
The Custom Power Specialist



Certificate No. 152  
ISO 9001: 2000

**Fan Cooled Heatsink. PS292/xxF**

Suitable for Isolated Diode / Thyristor / Mosfet / IGBT Modules with 80-112mm Fixings.



Units include  
110-115 or 230-240V AC Ball bearing fans  
Fan Finger Guard, Inlet Duct & Mtg Feet.

DES	Pt No	"L"	N*	Rth H-A	W	FAN
		mm		Deg C/W	kg	V
PS292/300BF	040027A-11	300	3x34	0.036	12.0	110/115
	3x80x38 fixing	040027A-23	6x34	0.029		230/240
			2x50	0.037		
			3x50	0.031		
PS292/300BF	040027B-11	300	1x60	0.044	12.0	110/115
	3x112x48 fixing	040027B-23	2x60	0.034		230/240
			3x60	0.028		

\* N= Number of devices and the base width mm.

Thermal data for guideline only.

*GD Rectifiers Ltd.* Victoria Gardens, Burgess Hill, West Sussex RH15 9NB.

**Tel: 01444 243452 Fax: 01444 870722**

**E-Mail: [enquiries@gdrectifiers.co.uk](mailto:enquiries@gdrectifiers.co.uk) Web Site: [www.gdrectifiers.co.uk](http://www.gdrectifiers.co.uk)**