

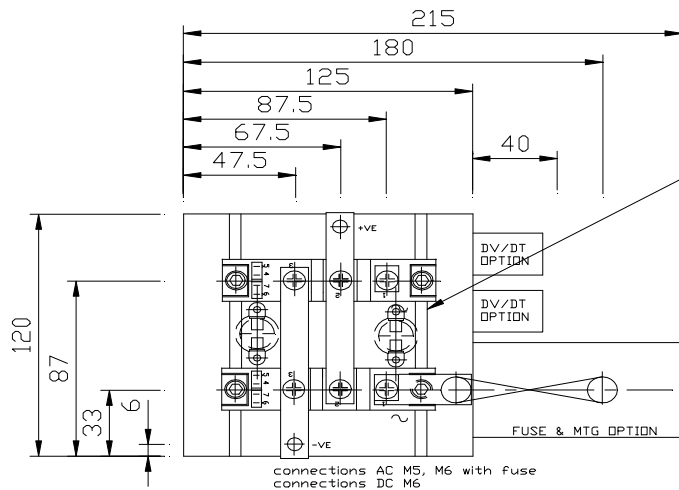
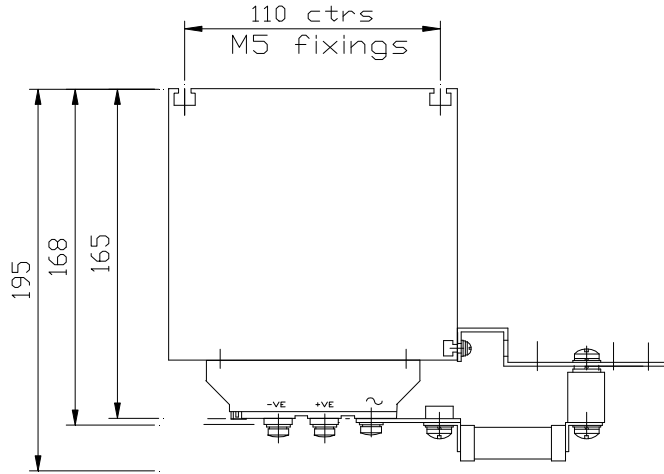
POWERSEM LTD.

DRG.No.A 020340

POWERSEM LTD, OWNS THE COPYRIGHT OF THIS DRAWING WHICH IS SUPPLIED IN CONFIDENCE AND WHICH MUST NOT BE USED FOR ANY PURPOSE OTHER THAN THAT FOR WHICH IT IS SUPPLIED, AND MUST NOT BE REPRODUCED WITHOUT PERMISSION IN WRITING FROM THE OWNERS.

THIRD ANGLE PROJECTION

© POWERSEM LTD



When Hi/Lo trips fitted
Mount left & right respectively

connections AC M5, M6 with fuse
connections DC M6

FOR B2C USE MCC
FOR B2HZ USE MCC MDD UPPER
FOR B2HK USE MCD
FOR B2U USE MDD

TOLERANCES UNLESS SPECIFIED

UNLIMITED DIMENSIONS TO BE ± 0.2

ANGLES $\pm 0^\circ 30'$

HOLES $+ 0.1 - 0.02$

REMOVE SHARP EDGES

ALL DIMENSIONS IN MILLIMETRES

CHAMFER ALL THREADS AT 45 TO ROOT DIAMETER.

ASSEMBLY DN:

TITLE: B2C MCC19-95/xx PS260/120B

JOB:

MAT'L:

SPEC.

FINISH:

SCALE 1:3

DRAWN PB

CHK'D MP

MOD. No

ISSUE No

1/18.11.00

DRG.No.A 020340