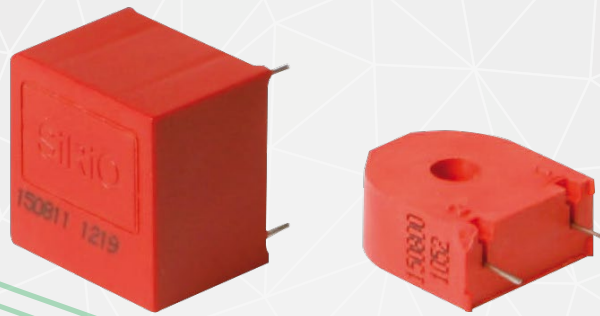




# TA 1508--

## CURRENT TRANSFORMERS FOR MEASUREMENT APPLICATIONS



### PURPOSE

These current transformers are suitable to measure alternate currents at 50-60 Hz, up to 50 Arms. They are typically used in energy metering applications, where high accuracy and small dimensions are required at the same time.

### FEATURES

For this kind of component the choice of the magnetic material of the core is the most critical issue, as it makes possible to have high accuracy and a low output to input phase displacement in extremely compact dimensions.

These are critical features in case of equipments for alternate currents measurement, for example to measure rms and peak values, to detect waveforms, to perform harmonic analysis. By connecting a burden resistance to the secondary side, you can read a proportional voltage signal, isolated from the mains, however many different amplification techniques and signal processing are possible, depending on the application.

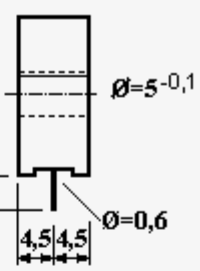
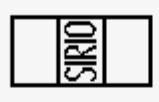
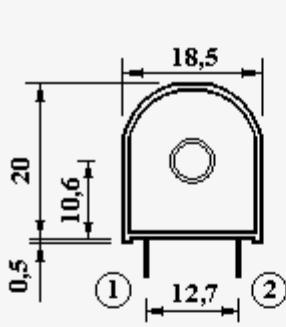
Typical working temperature is from -25 to +85°C.

Sirio offers current transformers for measurement applications in two different versions: with passing-through hole and with the primary turn inside, to achieve at the same time safety insulation and easy assembly process.

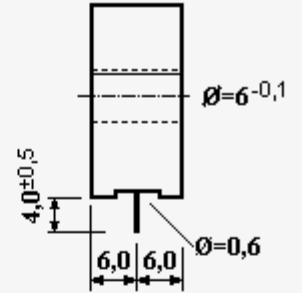
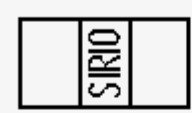
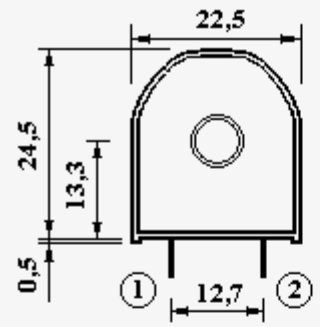
Code	$I_p$ [Arms]	n	$R_c$ [ $\Omega$ ]	$R_s$ [ $\Omega$ ]	E%	$\Phi$ [°]	D [mm]	$U_p$ [kVrms]	Drawing
TA 150800	15 max	(1) : 1000	7	21	0,2	1	5	4200	1508FA
TA 150815	50	(1) : 1000	4	14	0,1	1	6	4200	1508FC
TA 150810	50	(1) : 1000	50	36	1,0	2	6	4200	1508FB
TA 150830	15 max	1 : 1000	7	21	0,2	1	0,8	4200	1508SA
TA 150811	50	1 : 1000	50	36	1,0	2	2,0	5000	1508SB

### SYMBOLS:

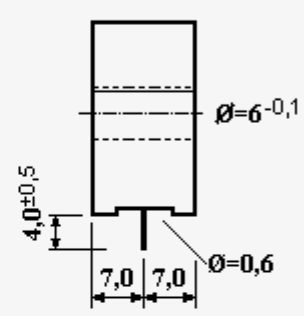
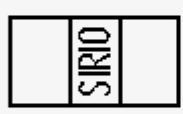
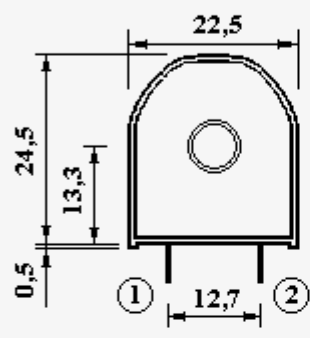
- $I_p$  rated primary current
- n turns ratio
- $R_c$  rated burden resistance
- $R_s$  rated secondary winding resistance
- E% accuracy
- $\Phi$  phase displacement
- D inner hole diameter/primary wire diameter
- $U_p$  insulation voltage test



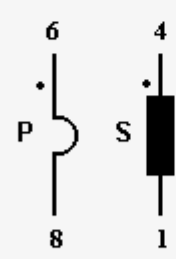
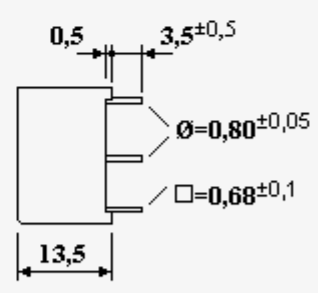
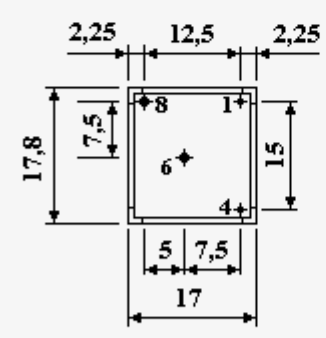
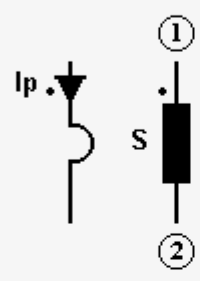
1508FA



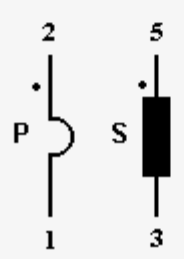
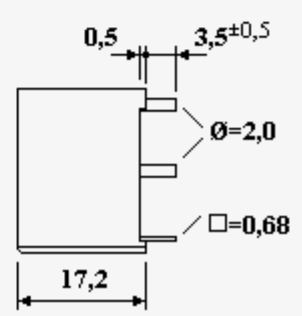
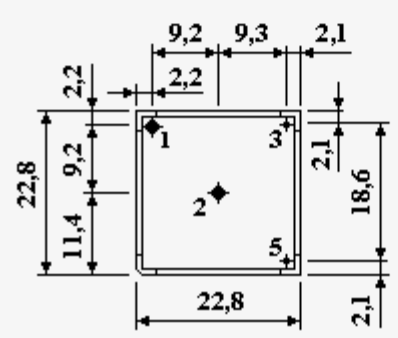
1508FB



1508FC



1508SA



1508SB

values in mm

TA03 - Rev.0



**SIRIO ELETTRONICA s.r.l.**  
 Via Selve, 2 - 35037 TEOLO (PD) - ITALY  
 Phone: 0039 049 9901090  
 Fax: 0039 049 9901868  
 E-mail: postoffice@sirio-ic.com  
 www.sirio-ic.com