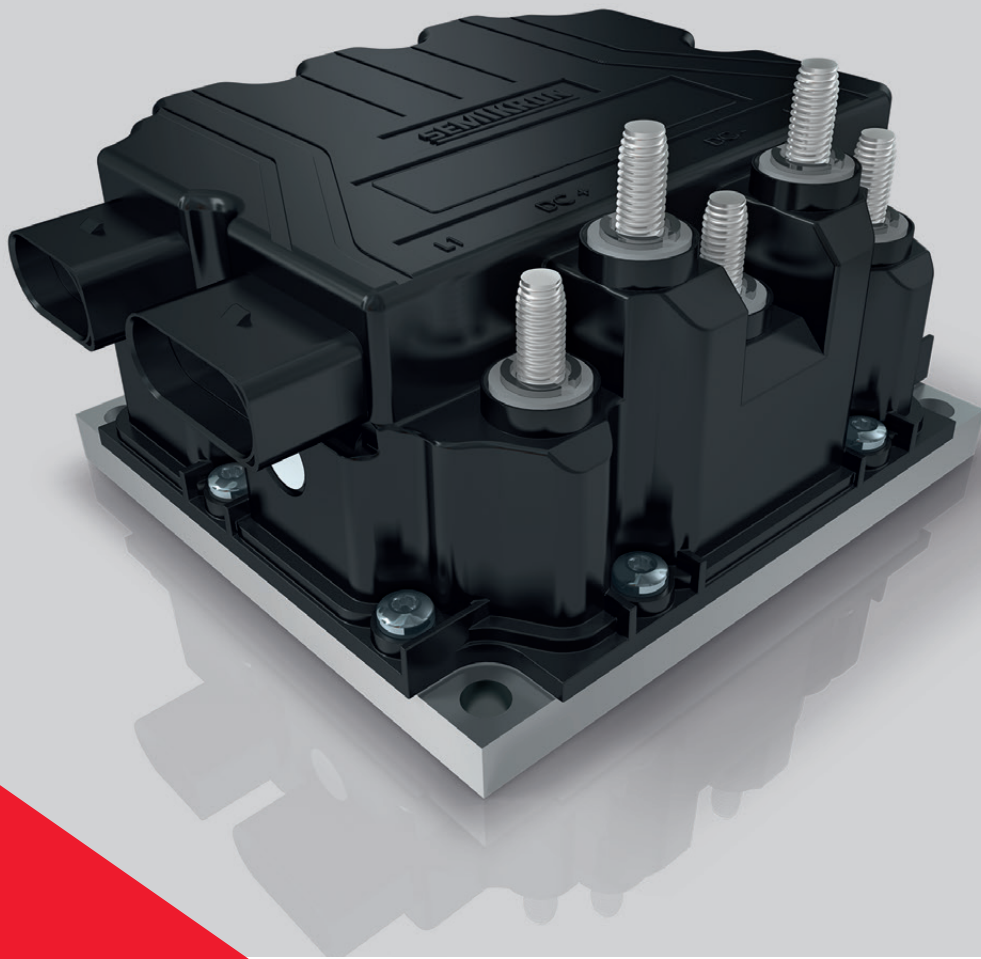


Ultra Compact MOSFET Inverter Platform



SKAI[®] 3 LV

MOSFET Inverter System up to 55kVA



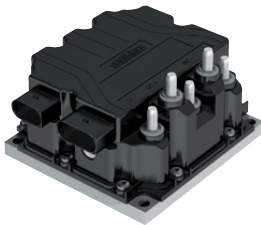
Ultra Compact MOSFET Inverter Platform

SKAI 3 LV is the 3rd generation of industrial MOSFET inverters and constitutes the 7th generation of MOSFET inverter technology manufactured by SEMIKRON, with more than 1.5 Million MOSFET inverters in the field. The 3rd generation is a platform concept that offers standard design versions or can be customised to meet your needs. The converter connects easily to a customer control board for quick and easy designing, while leaving the control to the customer.

3-phase MOSFET inverter system up to 55kVA

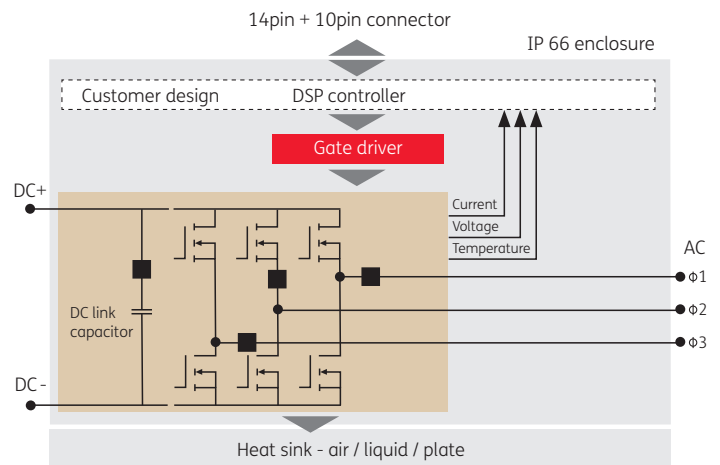
- For material handling and battery powered vehicles
- Voltage, current and temperature sensors
- Gate driver with protection
- Low inductance, low loss power section
- DC link capacitors
- Air and plate cooling
- Easy-to-use gate driver interface
- Platform for customised designs

Single inverter



(LxWxH in mm)
150 x 140 x 80

	Battery voltage	Cont. current	Overload 2min.
On request	160V	-	
SKAI 48 A3 MD 15 – P	80V / 96V	230A	480A
SKAI 41 A3 MD 10 – P	48V	240A	410A
SKAI 45 A3 MD 08 – P	48V	250A	450A

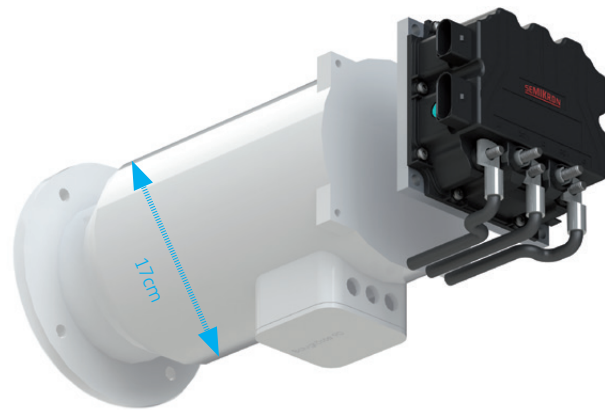


Design platform

- Power-module with easy-to-use gate driver
- Customer control board for integration into IP66 enclosure
- Customizable
- Design-in kit available

Power semiconductor technology

- Pressure rather than solder contact power connections
- No fatigue due to different material coefficients of thermal expansion
- Spring contacts for auxiliary connections replace solder joints for shock and vibration ruggedness



Compact design - only 17cm in diameter

Key features

For compact designs	600A _{rms} peak current during acceleration
30kVA/l power density	Easy-to-use gate driver
V _{battery} : 24V up to 160V	IP66 enclosure

We are close to our customers
www.semikron.com/contact
skai-lv@semikron.com

SEMIKRON INTERNATIONAL GmbH
 P.O. Box 820251 / 90253 Nuremberg, Germany
 Phone +49 911 6559 234 / Fax +49 911 6559 262
sales.skd@semikron.com / www.semikron.com

NOTE: All information is based on our present knowledge and is to be used for information purposes only. The specifications of our components may not be considered as an assurance of component characteristics.